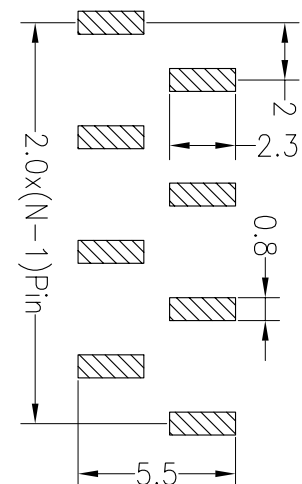
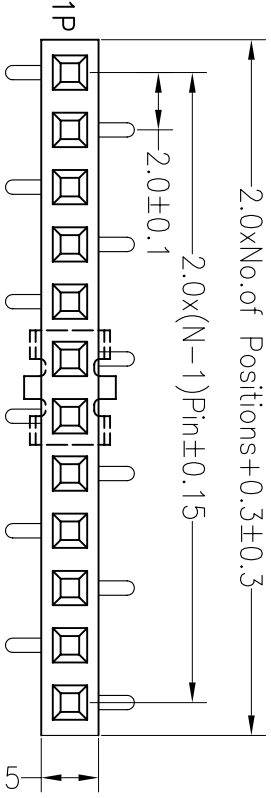
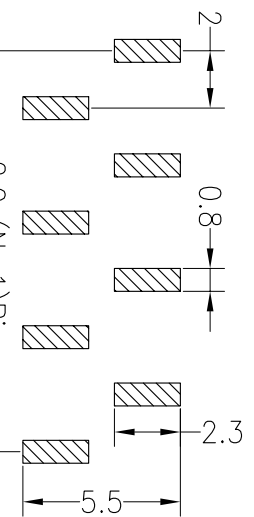
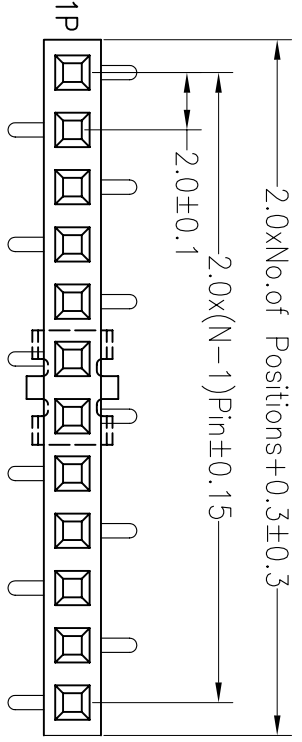


SPECIFICATIONS

Rated Current: 1.5AMP
 Contact Resistance: 20mΩ Max
 Withstand Voltage: 500V AC/DC
 Insulation Resistance: 1000MΩ Min
 Operation Temperature: -40°C to +105°C

Contact Material: Phosphor Bronze
 Contact Plating: Au or Sn Over Ni
 Insulator Material: Polyester (UL94V-0)
 Standard: PA6T
 Max. Processing Temp: 230°C for 30-60 seconds
 (260°C for 10 seconds)

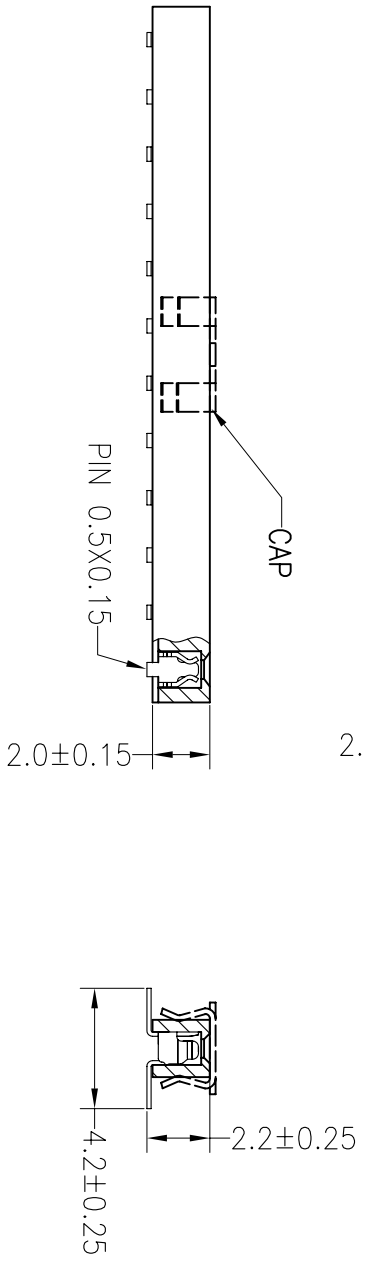
Recommended P.C.B Layout (Top Side)
 (PCB BOARD TOLERANCE ±0.05)



Ordering Information

2320 01 XX X N XX M U X 0X(1,2)

No. of Pins Per Row: 1*1~1*40
 Insulator Material Option:
 A=BK-PBT
 B=BK-PA66
 C=BK-PA6T
 D=BK-PA46
 E=BK-PA9T
 F=BK-LCP
 Contact Plating:
 G0: Gold Flash
 G1: 3U" Gold
 G2: 5U" Gold
 G3: 10U" Gold
 G4: 15U" Gold
 G5: 30U" Gold
 S0: Gold Flash/Tin
 SN: Tin
 Packing:
 O=PE Bag
 A=Troy
 T=Tube
 P=Tube+Cap
 R=Reel+Cap
 M=Reel+Myfor



OPERATION		DRAW		YTYuSheng		SCALE		FIT		PART NO.	
X.X	±0.30			12.04.18		UNIT	mm	A4		232001XXXXXXMUX01(2)	
X.XX	±0.20	CHECK				SIZE					
X.XXX	±0.10					SHEET	1/1				
Angle	±3°	APPROVE				PROJ.					
DIM	TOL	CHANGE				TITLE:				2.00PF H2.0mm 1xNpin SMT	
REV	DATE	MODIFICATION DESCRIPTION									
A0	2012.04.18	NEW DRAWING									
1											

JIN 深圳市锦凌电子有限公司
 SHENZHEN JINLING ELECTRONIC CO.,LTD
 Tel: 86-755-2997-5806/5802 Fax: 86-755-2997-5992